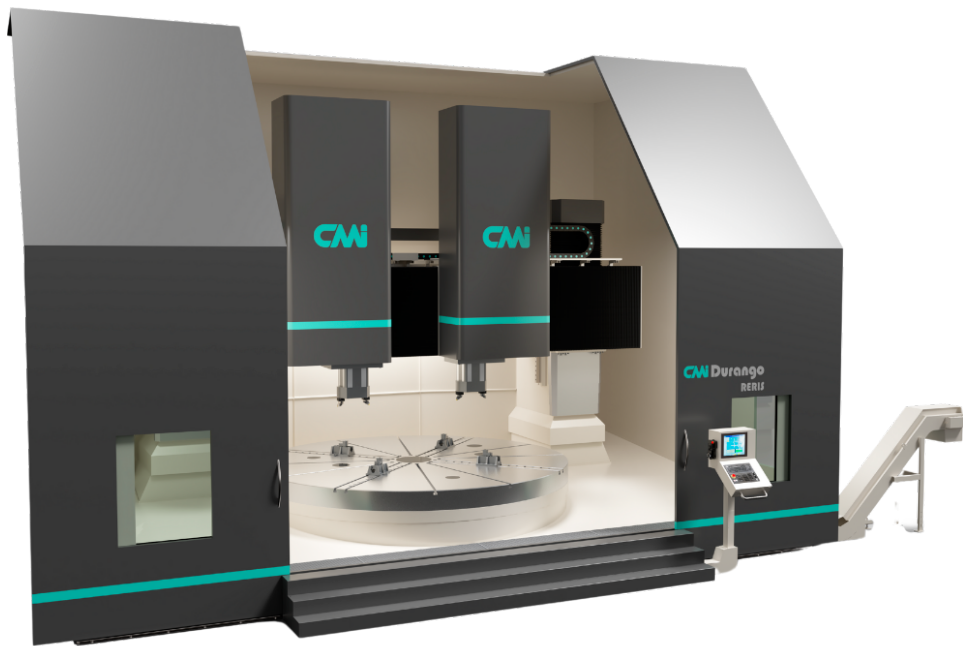


RERIS M 4000-6000

Vertical Lathe

APPLICATIONS:



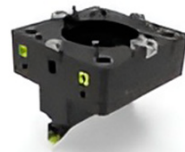
VERTICAL LATHE RERIS M Technical specifications

Max. workspace diameter (mm)	4500	5000	5500	6100	6100
Chuck diameter (mm)	4000	4500	5000	5500	6000
Max. weight (Tons)	80	80	100	120	150
Max. chuck speed (RPM)	118	100	95	78	75
Turning power (kW)	100	100	100	130	130
Crossrail vertical travel "W" (mm) - (Optional)	1000 / 2000				
Z-axis travel (mm)	1200 / 1500 / 2000				
Ram section (mm)	350x350 (Z-axis: 1200) / 400x400 (Z-axis: 1500 / 2000)				
X-axis feed rate (m/min)	10 / 15				
Z-axis feed rate (m/min)	10 / 15				

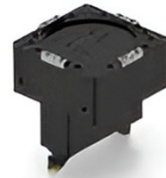
Heads



TOOL
HOLDER HEAD



AUTOMATIC
TURNING BLOCK



FIXED
TURNING BLOCK

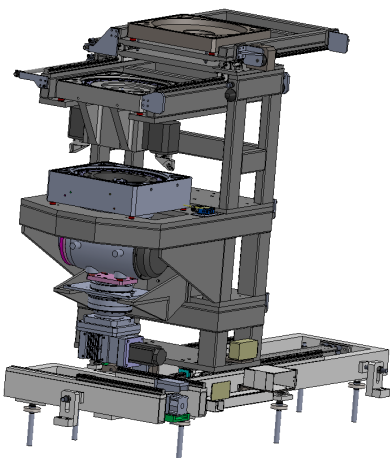
Tool warehouse

Number of tools 40 / 60 / 80 / 100

Tool weight capacity 20 kg / 35 kg

Tool types ISO 50 / 60
HSK-63 / 80 / 100...
CAPTO C-6 / -8 / -10...

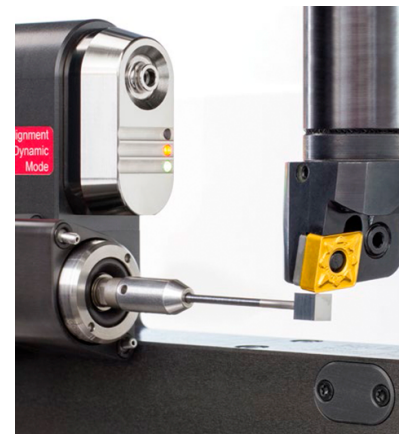
Other accesories and tools



HEAD AND
WORKPIECE CHANGER



PALLET
EXCHANGER



TOOL AND
WORKPIECE PROBE